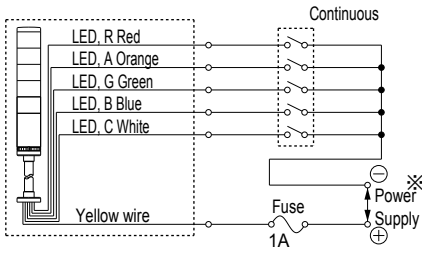


LME/LMS Wiring Diagram

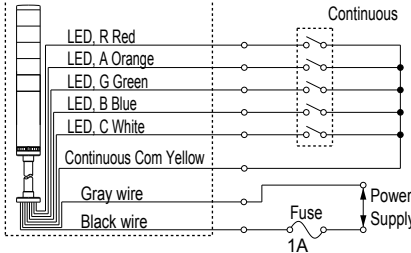
[LME/LMS-□□□(FB)(W)(L)(K) Model]

LME(-W)/LME(-W)-S·Q/LMS[Continuous type]

■ AC/DC 24V

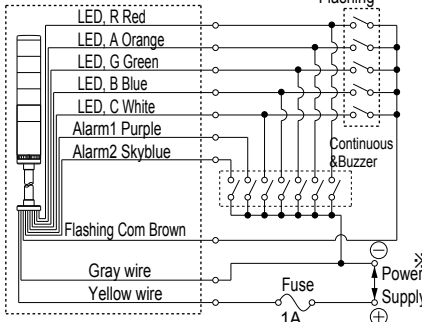


■ AC 100/220V (LME only)

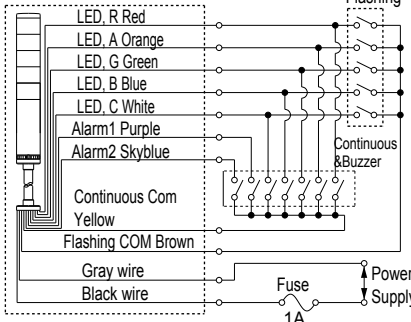


LME-FB(W)/LME(-W)-S·Q[Continuous/Flashing/Alarm type]

■ AC/DC 24V



■ AC 100/220V (LME only)



※LME-FB-S/Q Series:24V model is DC only, with only one polarity:positive(+) on Yellow(NPN)

■ Voltage and Amperage of lead wire per layer

Model	Voltage Type	Signal line Voltage	LED		Buzzer	
			Signal Line R, Y	Current G, B, C	Signal Line Current	Rush Current
LME	AC/DC 24V	AC/DC 24V	50mA	20mA	40mA	250mA
	AC100V	DC 24V				
	AC220V	DC 24V				
LME-S	DC 24V	DC 24V	50mA	40mA	40mA	250mA
	AC100V	DC 24V				
	AC220V	DC 24V				

■ Lead wire color correspondence table

Color of LED unit	Color of Lead wire
Red	Red
Amber	Orange
Green	Green
Blue	Blue
Clear	White

■ LME-S/Q

Color of LED unit	Color of Lead wire
S1 Red·Amber·Green	Red · Orange · Green
S4 Red·Green·Blue	Red · Green · Blue
S7 Amber·Green·Blue	Orange · Green · Blue
Q1 Red·Amber·Green·Blue	Red · Orange · Green · Blue
Q2 Red·Amber·Green·Clear	Red · Orange · Green · White
Q4 Amber·Green·Blue·Clear	Orange · Green · Blue · White

Alarm	Color of Lead wire
Alarm1	Purple
Alarm2	Skyblue

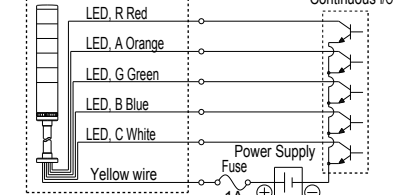
■ Fuse for outer contact protection

Voltage	Fuse
All voltage types	1A

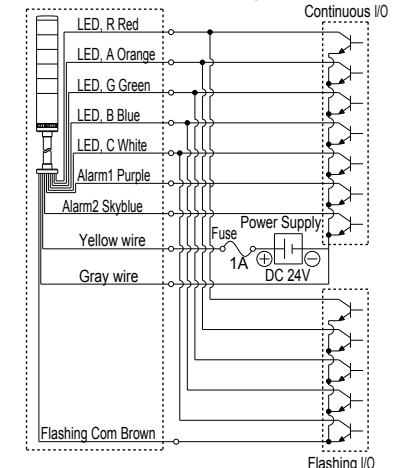
NPN(PNP)Transistor

DC24V NPN Transistor

■ Continuous only

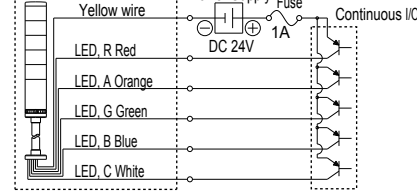


■ Continuous and Flashing with Alarm

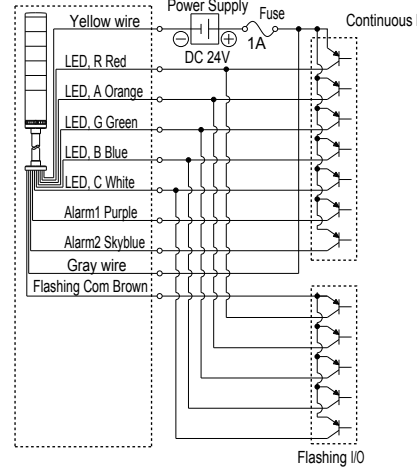


DC24V PNP Transistor (except for S/Q type)

■ Continuous only

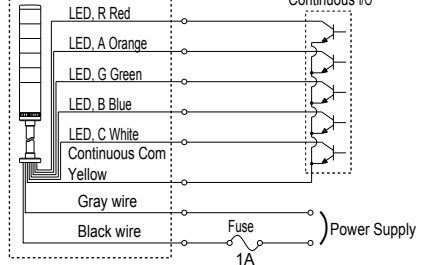


■ Continuous and Flashing with Alarm

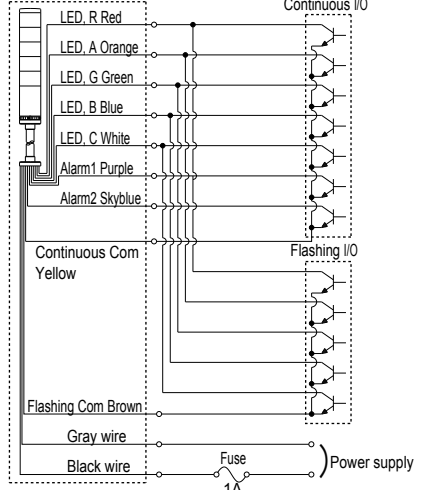


AC100/220V NPN Transistor

■ Continuous only



■ Continuous and Flashing with Alarm



Model	Transistor (NPN or PNP)
Current	$I_c \geq 100\text{mA}$ (LED UNIT)
Capacity	$I_c \geq 300\text{mA}$ (Buzzer)

Voltage	$V_c \geq 35\text{V}$
Current Leakage	$I_L \leq 1\text{mA}$